

## Redundant Switch & Distribution Unit (RSDU)

### AD12A

#### 2 inputs & 12 configurable outputs

#### Key Features

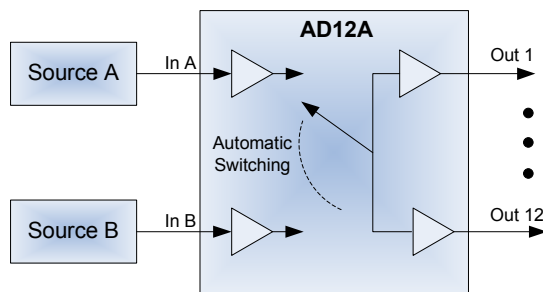
- ❖ 12 channels configurable outputs
- ❖ 2 input signals (sine or square)
- ❖ Monitor and control: RS-232, LAN (UDP)
- ❖ Supply Voltage: 90-260 VAC (DC as an option)



#### Description

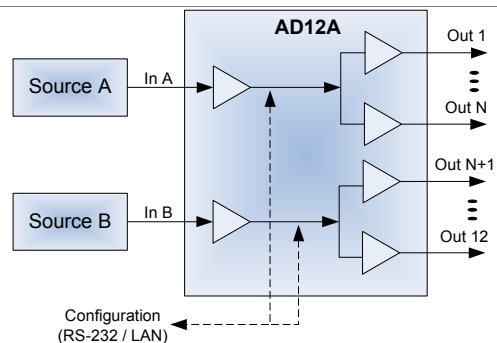
AD12A is a 12 channels signal Redundant Switch & Distribution Unit (RSDU) packed in a 19" 1U enclosure. The unit contains 2 buffered inputs which are distributed to 12 buffered outputs. Each output can be connected to each input using RS-232 and / or by LAN (as an option). Each AD12A output used as an input to another AD12A unit, thereby creating a system of multiple dozens outputs, starting from a single input. The unit includes a front panel LED indication for inputs/outputs validation.

#### Typical Applications



**Application A: Redundancy.**

In case where two inputs are connected, input A is distributed to all outputs by default. In case of an input failure or disconnection, the unit automatically switches to input B. When input A return to be valid the unit will automatically distribute input A to all outputs.



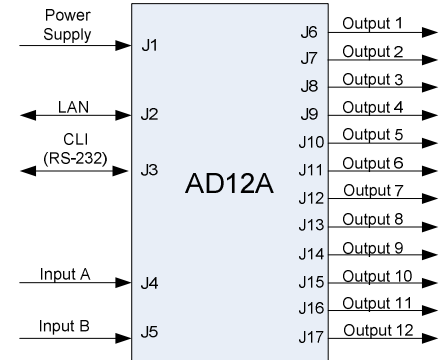
**Application B: Switch / Distribution.**

The user defines which input is connected to each one of the outputs.

## SPECIFICATIONS

All specs are at room temperature, quiescent conditions and sea level ambient unless otherwise specified

RF Input & Outputs		
<b>Inputs (x 2)</b>	Frequency	1Hz –50KHz and 150KHz-20MHz (square & sine wave)
	Level	Sine wave: 3dBm to 21dBm  Square wave: 2.5V to 5V, Note: higher voltage level will be clipped to 5V.
	Load Impedance	50Ω
	Connector	BNC / TNC (option)
<b>Outputs ( x 12)</b>	Frequency	Same as input
	Level	Same as input ± 20%
	Load Impedance	50Ω
	Connector	BNC / TNC (option)
<b>Phase Noise Floor</b>	<b>Offset [Hz]</b>	<b>Phase Noise [dBc / Hz]</b>
	1Hz	-102
	10Hz	-132
	100Hz and above	-147
<b>CLI (Command Line Interface)</b>	BIT indication, unit identification (serial number, version) and outputs configuration	RS-232 Baud rate: 19,200 bps Protocol: 1, 8, 1, No parity.
<b>LAN (option)</b>	Monitor and control by UDP	



Power Supply	
<b>Power Supply</b>	90-260 VAC 47/63 Hz (DC power supply as an option, 28VDC / -48VDC)
<b>Power Consumption</b>	≤ 10W

Standards	
<b>CE Compliance</b>	Safety per IEC950 / UL1950 / EN60950. EMI / EMC per EN50081, EN50082, EN50024 and FCC Part 15 Class A.

Temperature Range	
<b>Operation</b>	-20 °C to + 65 °C
<b>Storage</b>	-40 °C to + 85 °C

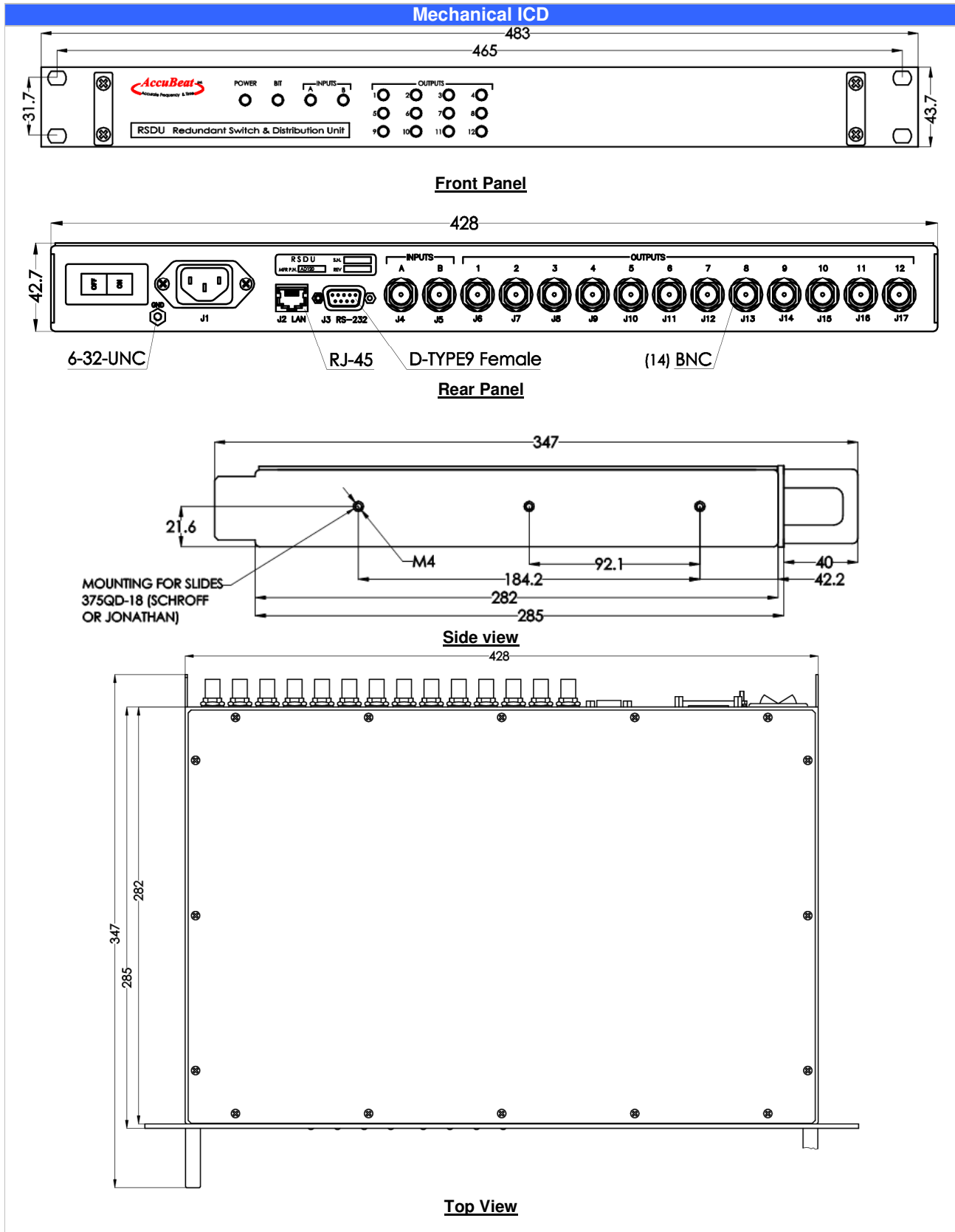
Dimensions & Weight		
<b>19" x 1U Rack Mount</b>	Dimensions	19" x 1U Rack Mount: 43.7mm (height) x 483mm (width) x 285mm (depth)
	Weight	≤ 4 kg

BIT	
<b>LED Indications</b>	Front panel: Power, BIT, Inputs A & B validity, 12 outputs validity indications (one for each output).
<b>Hardwired overall BIT indication</b>	Open collector overall BIT indication

Electrical ICD		
Connector	Standard Type	Options
o Power Supply	AC, Standard Inlet (IEC320 C14)	28VDC / -48VDC
o Input A	BNC	TNC
o Input B	BNC	TNC
o CLI and Overall BIT	D-Type	
o LAN (option)	RJ-45	
o OUT 1 – OUT 12 – Output signals	BNC	TNC

## SPECIFICATIONS

All specs are at room temperature, quiescent conditions and sea level ambient unless otherwise specified



**HOW TO ORDER**



AccuBeat P/N	Monitor & Control	I/O Connectors	Power Supply
AD12000	CLI (RS-232) & LAN (UDP)	BNC	AC (90-260VAC)
AD12001	CLI (RS-232)	BNC	AC (90-260VAC)

Accessories	
SW50031	CUSTOMER GUI FOR AD12A

\* For all other options – contact factory